



## Wild Land Truck Tower System

Multi-function | Easy to install | Anti-corrosion | Anti-rust | Light weight



## Wild Land Truck Tower System

- Versatile and modular design creating extra space for Pickups.
- Robust with strong bearing capacity (up to 250kgs) with high quality carbon steel.
- Functional even under harsh conditions and environments.
- Match perfectly with all kinds of roof top tents with pickups.
- Adjustable and compatible, fit to all kinds of pickups. It can be extended to 72cm high ( 48-72cm ) and 130cm long ( 100-130cm ) which can be freely adjusted to meet all kinds of Pickups.



### Specifications

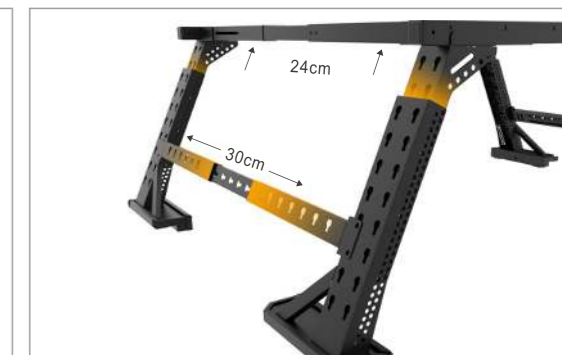
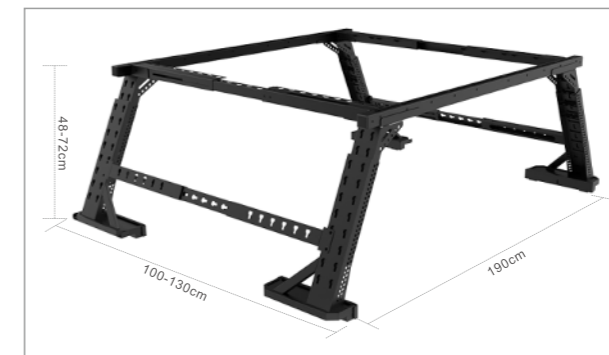
Material: High Strength Carbon Steel

Packing size: 142×36×26cm

Bearing capacity: 250KGS

Net weight: 38.8KGS

Gross weight: 48KGS





## Horizontal Detachable Roof Rack System



## Roof Rack System

- High Strength, strong load-bearing capacity, and corrosion-resistant
- Patented practical and versatile design provides additional grip for rooftop cargo
- 4 easy-to-install and durable load carrier feet (tower) and 2 Wild Land Square Bars
- Two optional slots, adjustable as per the thickness of the bars
- Strict height control makes unhindered access
- Aerodynamic design to reduce wind noise
- Rubber coated stainless steel strap secures feet to side rail, easy and non-destructive installation

### Specifications

Size: L1466×W80×H90mm

Packing size: 16.5×10×150cm

Bearing capacity: ≤75kg(Combined load-bearing capacity of the 2 racks)

Net weight: 9.77kg

Gross weight: 11kg

Accessories: Wrenches×2pcs

### Materials

High density carbon steel

### Availability

Cars originally equipped with detachable vertical load-bearing racks. Space between the car roof and the bar should be no less than 1cm.



## Privacy Tent

- Set up and fold down in seconds with Wild Land Fleet Mechanism
- Two ventilating small roof windows on top
- D shape zip door
- Detachable floor with mesh panel, making shower water flow out of tent quickly
- Two pockets for storage and a string for hanging towel, etc.
- The water bag inside is able to bear 20L water for shower

### Material

Wall: 190T Polyester PU 600mm with silver coating

Floor: PE 120g/m<sup>2</sup>

Pole: Fleet Mechanism, Steel pole with special coating & Fiberglass pole on the top

### Structure

Tent size: 155×155×205cm

Packing size: 105×17×17cm

Weight: 6kg

## Cambox Shade

- Extra large entrance and windows for great airflow
- Rapid Wild Land hub frame for easy set up and pack down
- Compact pack size for easy storage and carry
- UPF50+ protected

### Material

Wall: 190T polyester, PU400mm, UV50+, WR with mesh

Floor: PE 120g/m<sup>2</sup>

Pole: Hub mechanism, 8.5mm fiberglass

### Structure

Person : 2

Tent size: 200×150×130cm

Packing size: 115×12×12cm

Weight: 2.75kg



# Cambox Shade Lux



## Cambox Shade Lux

- Set up and fold down in seconds with Wild Land hub mechanism.
- Stable structure, can be free-standing anywhere.
- Extra large entrance and big windows for great airflow.
- Double layer door with mesh for bugs free.
- Fabric with UPF 50+, providing excellent protection against the sun's ultraviolet rays.
- Compact pack size for easy storage and carry.

### Specifications

Tent size: 195×148×126cm

Packing size: 115×12×12cm

Net weight: 2.95kg

### Materials

Wall: 190T polyester, PU1500mm, UV 50+, WR with mesh

Floor: PE 120g/m<sup>2</sup>

Pole: Hub mechanism, 8.5mm fiberglass



## Triangle Hub Tent

- Set up and fold down in seconds with Wild Land Hub Mechanism
- Stable triangle shape, suitable for 3 persons
- Strong hub mechanism with puller on both sides
- Full durable mesh walls provide great ventilation and great view
- Sewn-in floor makes it neat and bugs free
- Detachable side walls and waterproof fly is available

### Material

Fly: 150D poly oxford PU coated 1500mm

Wall: 150D poly oxford PU coated 400mm & durable mesh

Floor: 150D poly oxford PU coated 2000mm

Pole: Hub mechanism, Fiberglass

### Structure

Tent size: 210×210×125cm

Packing size: 137×18×18cm

Net weight: 6kg

## Hub Screen House 400 Cube

- Set up and fold down in seconds with Wild Land Hub Mechanism
- Strong hub mechanism with puller on each side
- Optional detachable side wall blinds

### Material

Wall: 210D polyester oxford PU coating 400 mm & mesh

Pole: Hub mechanism, Fiberglass

### Structure

Tent size: 180×180×180cm

Packing size: 16×16×133cm

Net weight: 10 kg



## Hub Screen House 600

- Set up and fold down in seconds with Wild Land Hub Mechanism
- Strong hub mechanism with puller on each side
- The tent enjoys 94 total square feet of interior space with a 90" center height ,easily fits 8-10 people
- Extra pole in both sides of the door for better support
- Optional detachable side wall blinds
- Hub system in each side, built-in corner grommets for staking down

### Material

Wall: 210D polyester oxford PU coating 400 mm & mesh  
Pole: Hub mechanism, Fiberglass

### Structure

Tent size: 366×366×218cm  
Packing size: 188×21×21cm  
Net weight: 15.5kg



## Hub Screen house 600 Lux

- Fast and easy operation with Wild Land strong hub mechanism
- Utility tent with new added stove jacket in roof for outdoor cooking and heating
- Sewn-in side wall blinds on each sides, can be rolled up for better view and ventilation
- Extra rainy fly for water proof
- Additional steel poles for canopy function
- Optional detachable floor
- Multiple tents can be connected by buckles on the side of the door
- Combinable with Wild Land Car rear tent to offer more wonderful experience

### Materials

Wall and fly : 210D polyoxford PU800mm & mesh  
Pole: Hub mechanism, fiberglass poles. Steel poles x2 for canopy

### Structure

Tent size:360×311×217cm  
Packing size: 136×30×30cm  
Net weight: 22kg





## Car rear tent

- Multifunctional features as car rear tent, tarp, projection screen
- Adjustable height, suitable for different vehicles
- Stable and durable
- Waterproof and sun protection for outdoor activity
- Could be attached to Wild Land Hub screen house 600 LUX to create more living space

### Materials

Wall: 210D polyoxford PU1500mm  
Pole : Steel pole x 2pcs

### Specification

Tent size: 130/210 x 240 x 180cm  
Packing size: 16 x 16 x 67cm  
Net weight: 5.4kg

## Star hub tent

- Fast and easy operation with Wild Land strong hub mechanism
- Perfect portable shelter for a group of buddies or a day with friends and family
- Pentagonal ice fishing tent with enough space for 4-6 anglers
- Full Thermal trap technology retains heat and reduces condensation
- Built to withstand extreme weather conditions
- Optional groundsheet and flysheet to be a winter tent

### Specification

Tent size: 277 x 291 x 207cm  
Packing size: 32 x 32 x 159cm  
Net weight: 20kg

### Materials

Wall: 450D thermal fabric with black PU coating 90g/m2 polyfill in between, WR, PU400mm

Floor for Ice Hub tent (Optional): PE 120G/M2, WR, pack with tent in same bag

Pole: hub mechanism, fiberglass pole/dia.11 mm



## Wing Tarp

- More than 20 square meters oversized shade space.
- Ideal and fantastic tarp for parties of 8 to 12 persons.
- Durable silver coating material with UPF50+ treatment.
- With 2pcs strong embossment coating steel poles.
- Dia. 5mm reflective guy rope to offer safe guarantee for use at night.

### Materials

Wall: 210D polyoxford PU 2000mm with silver coating, UPF50+  
 Pole :Dia.22mm × thickness 1.2mm × 2.2m long steel pole

### Content

Dia. 5mm reflective guy rope×8pcs  
 Dia.22mm steel pole×2pcs  
 Dia. 6mm steel pegs×8pcs  
 Plastic hammer×1pc

### Specification

Tent size: 500×400×220cm  
 Packing size: 16×16×55cm  
 Net weight: 4.4kg

## Rectangle Tarp

- Ideal and classic tarp for parties of 6 to 8 persons.
- 10 square meters oversized shade space.
- Durable silver coating material with UPF50+ treatment
- With 2pcs strong embossment coating steel poles.

### Materials

Wall:150D polyoxford PU 1500mm with silver coating, UPF50+  
 Pole: Dia.19mm x T1.2mm x 2m long steel poles

### Content

Dia. 5mm guy rope×8pcs  
 Dia.19mm steel pole×2pcs  
 Dia. 6mm steel pegs×8pcs  
 Plastic hammer×1pc

### Specification

Tent size: 500×400×220cm  
 Packing size: 16×16×55cm  
 Net weight: 3.6kg





## Mini Tipi

- Large inner size with big front porch, spacious enough for 3-4 persons.
- Large front and back entrance, providing excellent ventilation.
- Double layer design
- Designed with multifunctional strap for hanging gear and accessories.

### Materials

Wall: 210T Polyester, silver coated PU 2500mm,WR

Floor fabric:210D oxford PU 3000mm,WR

Iron poles: Φ22\*185cm Φ16\*160cm

### Specification

Capacity: 3-4 persons

Tent size:325×285×185cm

Packing size:65×23×23cm

Net weight: 6.7kg

## Magic Tarp

- Wild Land unique patented tarp design, offering large shade and good protection while at the beach, camping site or any other outdoor field.
- With ample space for several people to spread out
- Durable materials and sturdy poles
- Easy to set up with great ventilation and wind resistant
- Optional detachable inner tent with great waterproof

### Materials

Tarp: 210D oxford, PU1000mm, silver coating, UPF50+, WR

Inner tent (optional): Wall: 190T polyester, PU1500mm, WR

Floor: 210D oxford, PU2000mm, WR

Pole: dia. 22mm and dia.25mm steel pole, fiberglass poles on front and sides

### Specification

Tarp size: 380×280×200cm

Inner Tent (optional) Size: 210×150×180cm

Packing size: 91×20×20cm

Net weight: 7.8 kg

# MTS-X Table

A brilliant creation from ancient wisdom

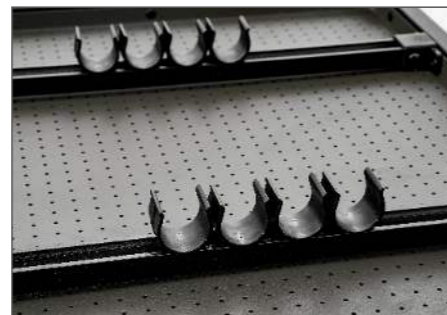
- Unique, stylish and durable outdoor furniture
- Heavy duty and lightweight aluminum frame
- Compact size for easy carry and storage

Materials: All in alloy aluminum

Table size: 130×50×61.5cm

Packaging size: 55×11.5×71cm

Weight: 6.1kg



# MTS-X Chair

Convenient and durable, enjoy fun of DIY

- Innovative application of tenon and mortise structures to MTS-X chair
- Quick, easy and durable
- 100° ergonomic design of the chair back
- Support for thighs and relaxation for calves perfectly
- Foldable design, quick and easy operation

Materials: Durable insulated canvas

Frame: Aluminum and nylon

Specification

Chair size: 59×69×83cm

Packaging size: 66.5×17×17cm

Weight: 3.5kg



# MTS-C Table

A brilliant creation from ancient wisdom

- Innovative application of tenon and mortise structure to MTS-C tables
- Lightweight & compact storage
- Leather hand grips with excellent texture
- Foldable design, quick and easy operation
- All alloy material, precision machining with meticulous details
- Multi-application in outdoor, indoor and office

Materials: All aluminum alloy

Specification

Table size: 100×65×60cm

Packing size: 69.5×11.5×55.5cm

Net weight: 6.1 kg



# MTS-C Chair

Convenient and durable, enjoy fun of DIY

- Innovative application of tenon and mortise structures to MTS-C chair
- Quick, easy and durable
- 100° ergonomic design of the chair back
- Chair at 40cm height, support for thighs and relaxation for calves perfectly
- Foldable design, quick and easy operation

Materials: Durable insulated canvas+ wood

Frame: Alloy aluminum+nylon

Specification

Chair size: 53x54x84cm

Packing size: 57.5x 14x54cm

Net Weight: 4.75kg





## MTS- Mini Table

- Super thin & Light weight
- Easy packing and carrying
- Full texture by wood and aluminium
- Can be folded/unfolded in seconds
- Special coating process, with anti-scratch and anti-slip function
- Suitable for multiple place

### Materials

Alu.&Bamboo

### Specification

Folded size:60×40×2.5cm  
 Packing size:61×41×3.2cm  
 Table size: 60×40×40cm  
 Net weight: 2.1kg



## Bamboo Canvas Chair

- Made of strong and durable canvas
- Real nature bamboo , environment friendly and mildew proof for frame
- Ergonomic design, comfortable and relaxing
- Foldable design for easy storage and transport
- Stainless steel joints make it stable , support up to 150kgs
- The canvas cover could be removable and washable.
- Mesh pocket on back for extra storage space

### Specification

Dimensions: 71.5×57×50cm  
 Packing size: 91×19×18cm  
 Net weight: 3.4kg





## Portable Bamboo Table

- Made of real nature bamboo, environment friendly and mildew proof.
- Foldable design for easy storage and transport.
- Stainless steel joints make it stable and durable, support up to 120kgs.
- Nature colors match most of furniture at home, outdoors, garden etc.

Materials : Real nature bamboo with stainless steel joints

Specification

Dimension: 91×60×45cm

Packing size: 93×18×18cm

Net weight: 7.9kg



## Camping Table & Chair

- Unique, stylish and durable outdoor dining furniture
- High quality materials
- Heavy-duty and lightweight aluminium frame.
- Portable size for more convenient

Chair Materials

Fabric: 600D rip-stop polyoxford PU coated 600mm

Frame: PP and Dia. 26mm aluminum

Chair Specification

Chair size: 45×45×47cm

Packing size: 48×15×49cm

Weight: 3.8kg

Table Materials

Table: Aluminum , PP and Nylon

Leg: PP and Dia. 26mm aluminum

Table Specification

Table size: 69×69×66.5cm

Packing size: 70×9×70cm

Weight: 4.2kg





## Camping Table Plus

- Unique ,stylish and durable outdoor furniture
- Large size for more fun
- High quality materials
- Heavy-duty and lightweight Aluminum frame
- Foldable design for easy carry

### Specification

Table size: 88×88×71.5cm

Packing size: 90×47×15cm

Weight: 6.05kg (carry bag excluded)

### Materials

Table: Aluminum, PP and Nylon

Leg: PP and Dia.26mm aluminum



## Canvas Lounge Pro

- Portable deck chair for convenience and extra comfort
- Oversize storage pocket on the back to place some small items, electronic devices, etc.
- Light weight and sturdy with convenient shoulder strap
- Close to the floor for relaxing days at the shore
- Could be used at home, camp site, park, garden, beach, etc.
- The angle of the back can be adjustable from 0 degree to 180 degree, you can get a tent bed easily

### Materials

Fabric material:500G/m2 Canvas

Frame: Steel

### Specification

Portable Lounge size:70×50×32cm

Packing size: 50×5×38cm

Weight: 1.6kg



## Portable Lounge

- Portable deck chair for convenience and extra comfort
- Storage pocket for keys, phones, magazines etc.
- Light weight and sturdy with convenient shoulder strap
- Close to the floor for relaxing days at the shore
- Can be used at home, beach or any camping area
- The angle of the back can be adjustable from 0 degree to 180 degree, you can get a tent bed easily

### Materials

Fabric material: 300D poly oxford

### Specification

Portable Lounge size: 70×50×32cm

Packing size: 50×5×38cm

Weight: 1.4 kg



## Picnic Pad

- Water repellent, oil repellent and stain resistant
- Machine washable
- Tri-layer skin friendly materials
- The peach skin fabric pass the OEKO-TEX standard 100
- Suitable for 4-6 persons siting or 2-3 persons lay down
- Could be used on beach, park, garden, inside the tent, etc
- Compact packing size, convenient to carry

Material: Insulated thermal fabric with 100G peach skin velvet

Inner: 150g/m2 poly-fill

Bottom: 210D polyoxford PU400mm

Size: 200×150×1.2cm

Net weight: 0.98kg





## Envelope Sleeping Bag

- The sleeping bag can be fully unzipped and used as a blanket, also can be wearable.
- Lengthwise fastening and a right-left zipper system for easy handling.
- 100% cotton of lining stand against cold completely;
- Suitable for four season camping
- Comfortable degree 10 °C, moderate temperature 5°C, extreme temperature 0°C

### Materials

210T rip-stop polyester fabric with lining 100G/m<sup>2</sup> skin friendly fabric

Filling: Hollow cotton 300g-350g/m<sup>2</sup>

### Specification

Color: Gray

Size: Sleeping bag mode: 200×75cm

Quilt mode: 200×150cm

Packing size: 24×24×47cm

Gross weight: 1.6kg



## Feather Sleeping Bag

- Filled with nature white duck feather, good fluffy, keep warmth under extreme cold weather
- Using 20D rip-stop nylon fabric, waterproof and anti-penetration
- Drawing cord neck collar keeps neck and shoulders warm and prevents heat loss
- Round collar can be folded as a pillow to sleep more comfortably
- Opening at the bottom with zipper helps heat out
- Detachable cotton quilt for multifunctional purpose weather

### Materials

Shell and Inner lining: 20D rip-stop nylon fabric

Filling: White duck down

Color: Black + Orange

### Specification

Size: 220×80cm(L×W)

Packing size: 20×20×45cm

Weight: 1.5kg







## Sleeping Bag

- Tapered Shape for added warmth around feet and legs
- 100% cotton of lining stands against cold completely
- Drawing cord neck collar keeps neck and shoulders warm and prevents heat loss.
- Opening at the bottom with zipper helps smell out.
- Extra quilt inside give you more choices in different weather
- Comfortable degree 0°C, extreme degree -5°C

### Materials

Shell: 100% polyester  
 Inner lining: 100% cotton  
 Filling: 3D cotton, 300g/m<sup>2</sup>

### Specification

Size: 210×90cm (L×W)  
 Packing size: 24×24×47cm  
 Weight: 1.9kg



## Wild Land Air Mattress

- Suitable for outdoor camping, office lunch break, family.
- Use high resilience sponge padding, comfortable and soft, intimate design.
- 360 degree rotatable valve for fast inflation/exhaust
- Moisture ,Inflatable\Storage easy and convenient.
- PU sealing compound layer, reliably sealing

### Material

Outer: 75D polyester with TPU coating  
 Inner: High resilience sponge

### Specification

Size 1:  
 Inflated size: 115×200×10cm  
 Packing size: dia. 35×35×58cm  
 Net weight: 4.5kg

### Size 2:

Inflated size: 132×200×10cm  
 Packing size: dia. 35×35×67cm  
 Net weight: 5.4kg



## Wild Land Air Pillow

- With a weight of only 333g and compact packed size, this pillow's loft and cushion will be a pleasant surprise.
- Thick luxury foam provides soft, flexible and comfortable sleeping experience.
- Traditional rectangular shape, like your favorite pillow at home.
- Inflates easily and packs down as small as a russet potato, making it ideal for backpacking and travel adventure

**Material**  
Elastic Fabric, Polyester Pongee, High Resilience Foam

**Structure**  
Color: Black  
Size: 46×30×11cm  
Net weight: Approx.331g



## Multi-function Outdoor Cookware

- Multifunctional for stewing, grilling and frying
- Three power sources support: firewood, gas and charcoal
- Cast Iron material is good for health
- Detachable structure makes it easy to clean and carry away
- The wooden pot cover could be used as a chopping board
- Maximum energy consumption is about 220g/h
- Average boiling time is 3.5 minutes
- A 450g fuel can last 150 minutes
- The stable frame endures 20kg.

**Frame**  
Material: 3pcs two-section metal poles, cast iron  
Color: black  
Size: 7.6×73.3cm (set up)  
Weight: 8kg

**Pot**  
Material: metal, cast iron  
Color: black  
Size: Dia. 28cm  
Weight: 7.5kg